

JCA

SADDLE MOUNTED BURNER CONTROL VALVES

- Delta C rated
- CSA Approved
- 1/2psi Maximum Inlet Pressure
- 0°C - 180°C Ambient Temperature (32°F - 356°F)
- Multi-pose Positioning
- 30°, 45° or 180° outlet Configurations Available
- Saddle Mount Inlets
- 90° Spindle Rotation



JCA 1061

Application

The JCA has been designed for use in a wide range of domestic or commercial cooking appliances including BBQ's and can be used anywhere where a simple on-off operation is required.

Physical Description

The JCA taps 1061 and 1062 are made from a brass stamping and are a simple 90° rotation control with no thermo-safety shut off.

Operation

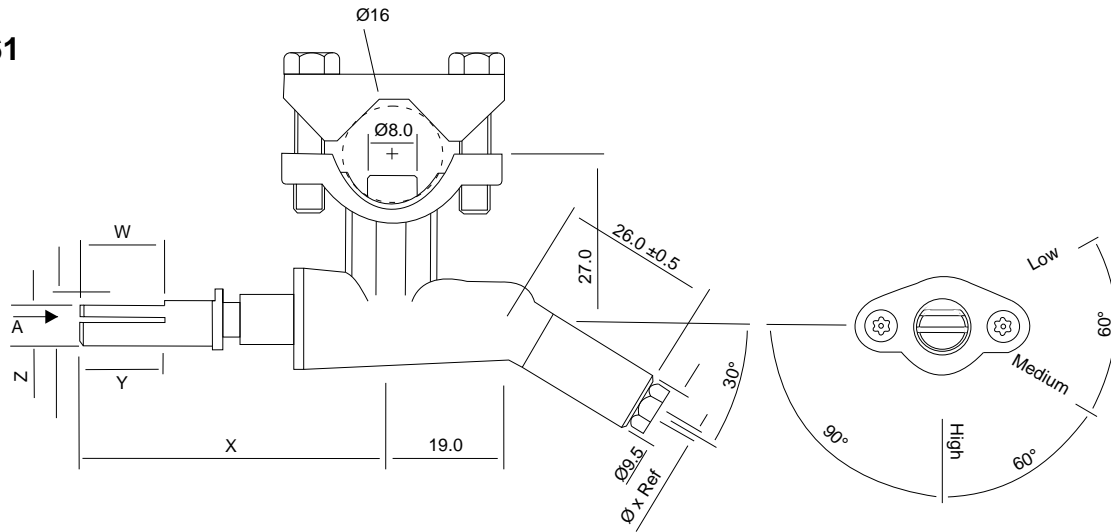
This consists of pushing the knob spindle in to clear the seating and fully rotating the spindle.



JCA 1062



JCA 1061

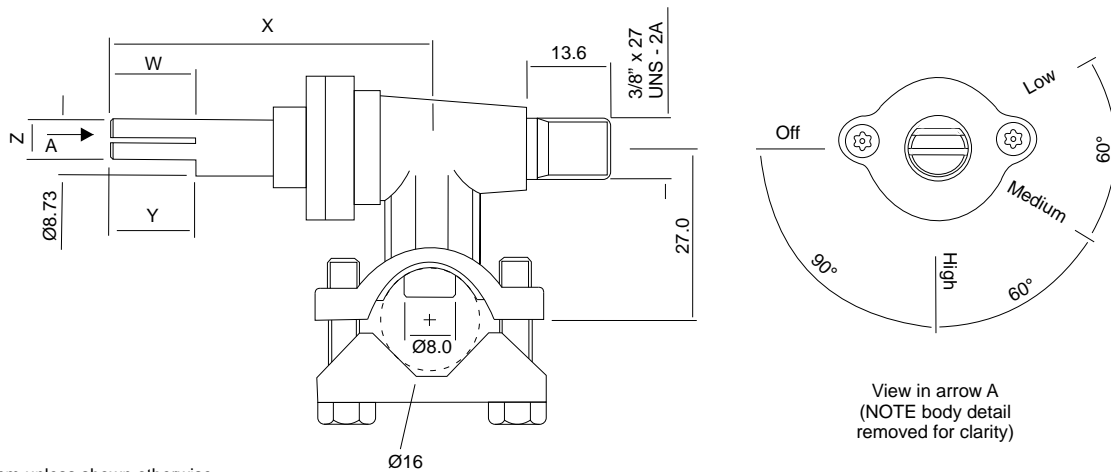


View in arrow A
(NOTE body detail removed for clarity)

Dimensions in mm unless shown otherwise

	Dimension				X Ref injector Ø	Flow rate (l/hr)			Inlet pressure (mbar)	Niting plate
	W	X	Y	Z		High	Med	Low		
JCA1061 - 01	13.5	50.8	13.5	6.2	0.0465"	TBC	104	49	28.0	Non-locking
JCA1061 - 02LP	13.5	50.8	13.5	6.2	0.0465"	TBC	104	49	28.0	Locking (off)
JCA1061 - 02NG	13.5	50.8	13.5	6.2	0.076"	TBC	TBC	TBC	10.0	Locking (off)

JCA 1062



View in arrow A
(NOTE body detail removed for clarity)

Dimensions in mm unless shown otherwise

	Dimension				Special features	Flow rate (l/hr)			Inlet pressure (mbar)	Niting plate
	W	X	Y	Z		High	Med	Low		
JCA1062 - 01	13.5	50.8	13.5	6.2		TBC	104	49	28.0	Non-locking
JCA1062 - 02	13.5	50.8	13.5	6.2		TBC	104	49	28.0	Locking (off)



TEDDINGTON APPLIANCE CONTROLS LTD

Part of the **TEDDINGTON GROUP**

Holmush · St. Austell · Cornwall · United Kingdom · PL23 3HG

Tel: +44 (0) 1726 74400 · Fax: +44 (0) 1726 67953

www.tedcon.com · info@tedcon.com

08/08



FM 1790